

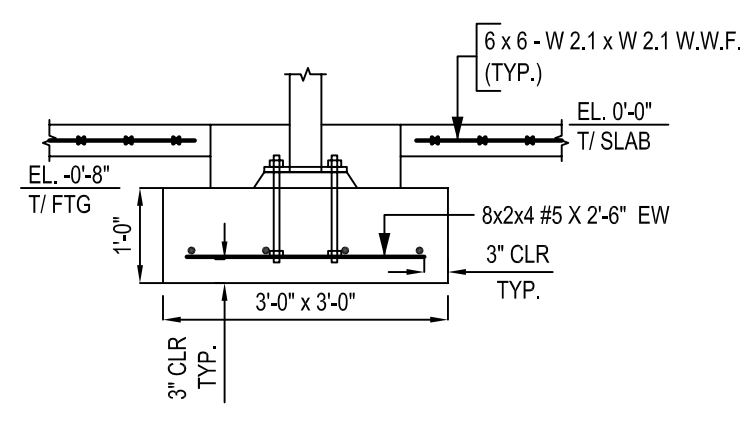
FOUNDATION REINFORCEMENT LAYOUT

SCALE: 1/8"=1'-0"  
SDR: S1.1



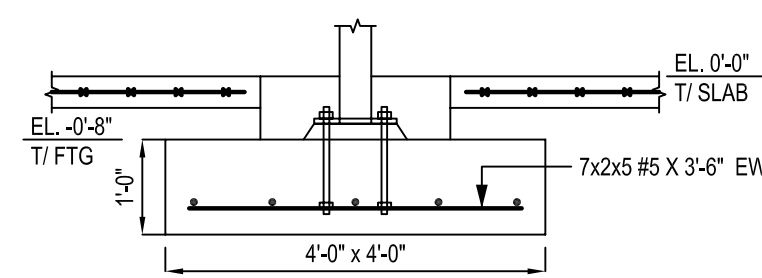
ONCE REBAR SERVICES





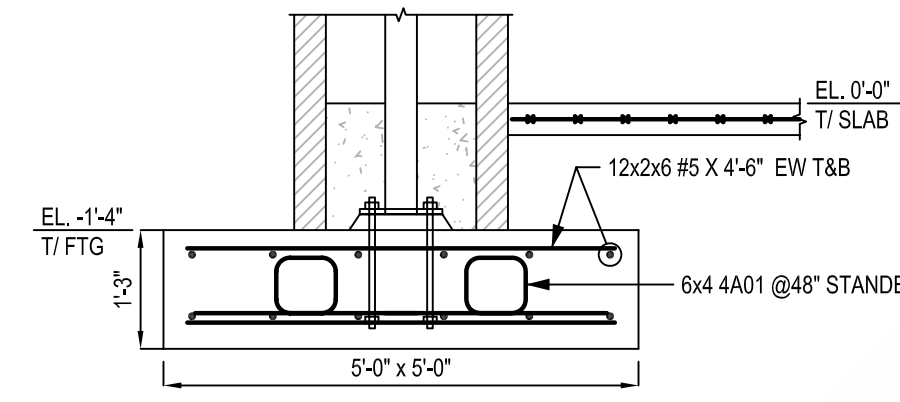
**FOOTING-F3.0**

SCALE: 1/2"=1'-0"  
SDR: 11/S2.1  
84.LOC.



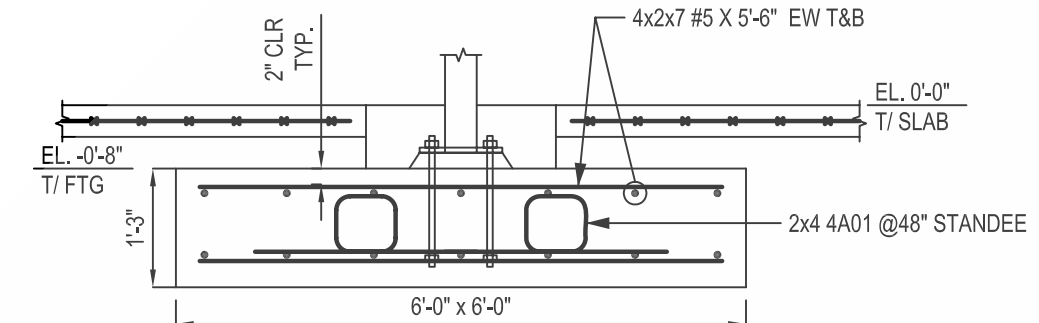
**FOOTING-F4.0**

SCALE: 1/2"=1'-0"  
SDR: 11/S2.1  
74.LOC.



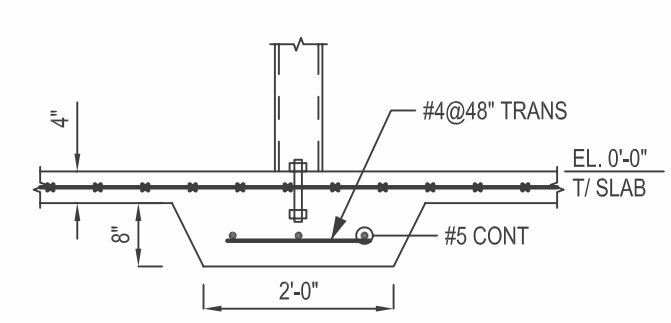
**FOOTING-F5.0**

SCALE: 1/2"=1'-0"  
SDR: 11/S2.1  
64.LOC.



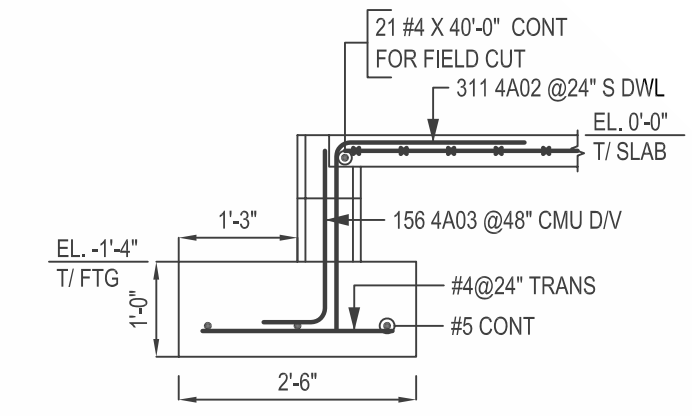
**FOOTING-F6.0**

SCALE: 1/2"=1'-0"  
SDR: 11/S2.1  
24.LOC.



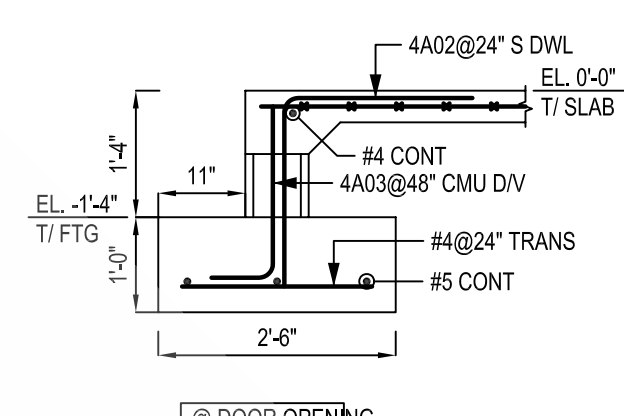
**SECTION 1**

SCALE: 1/2"=1'-0"  
SDR: 9/S2.1



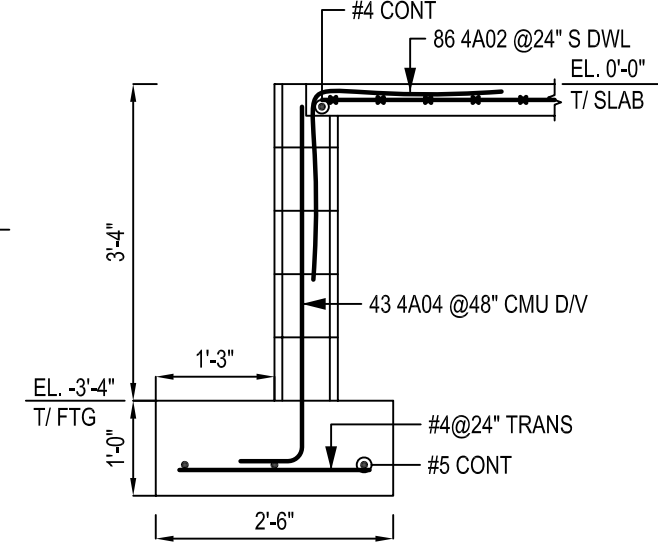
**SECTION 2**

SCALE: 1/2"=1'-0"  
SDR: 6/S2.1



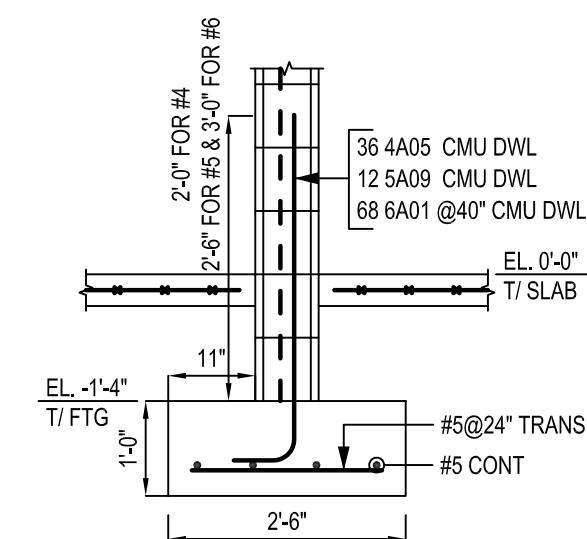
**SECTION 3**

SCALE: 1/2"=1'-0"  
SDR: 7/S2.1



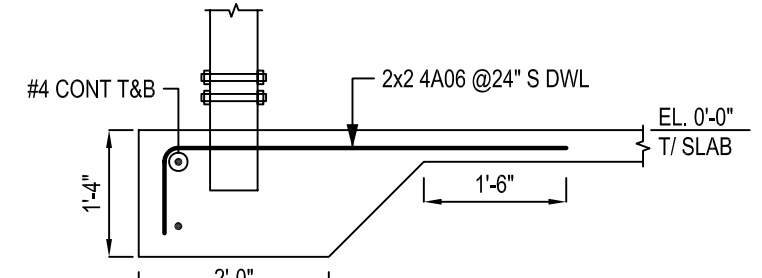
**SECTION 4**

SCALE: 1/2"=1'-0"  
SDR: 6/S2.1



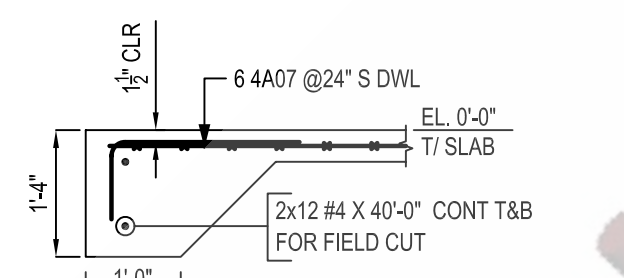
**SECTION 5**

SCALE: 1/2"=1'-0"  
SDR: 9/S2.1



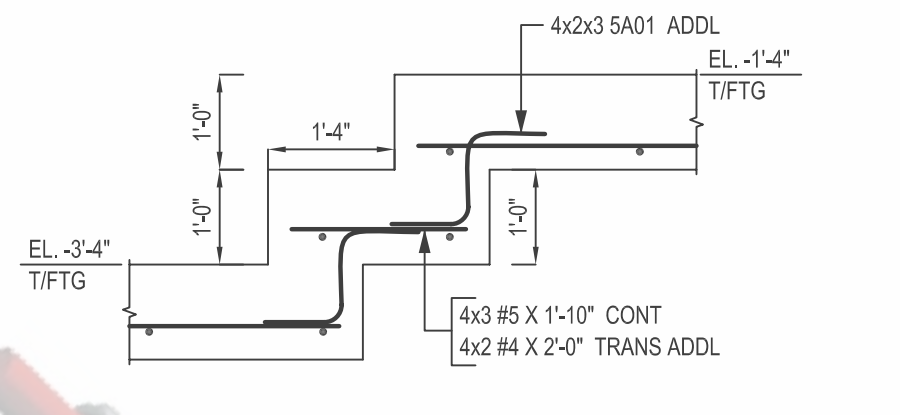
**SECTION 6**

SCALE: 1/2"=1'-0"  
SDR: 3/S2.2



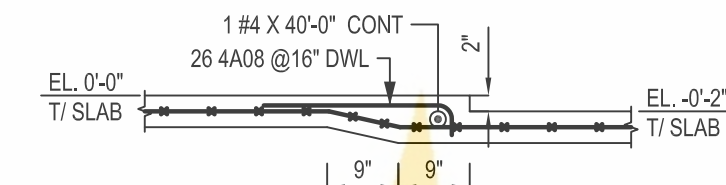
**SECTION 7**

SCALE: 1/2"=1'-0"  
SDR: 4/S2.1



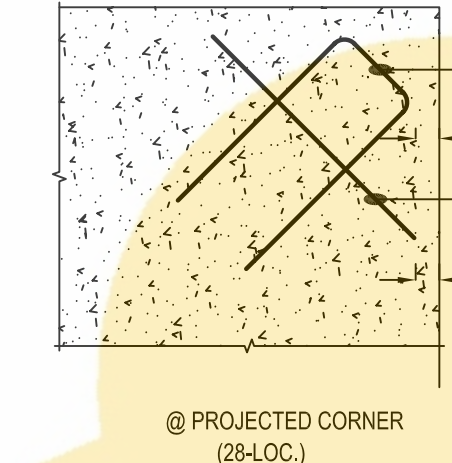
**ELEVATION A**

SCALE: 1/2"=1'-0"  
SDR: 1/S2.2  
44.LOC.

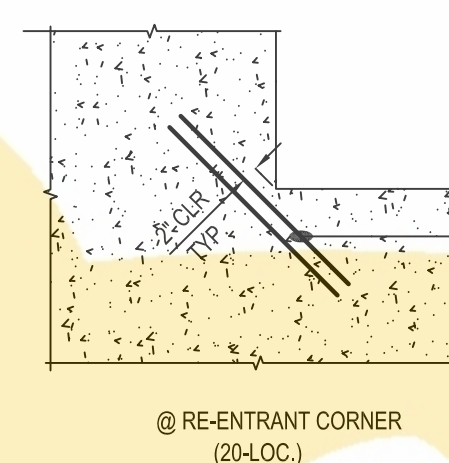


**SECTION 8**

SCALE: 1/2"=1'-0"  
SDR: 2/S2.2



@ PROJECTED CORNER (284.LOC.)



@ RE-ENTRANT CORNER (284.LOC.)

**REINFORCEMENT DETAILS @ SLAB CORNERS**

SCALE: 1/2"=1'-0"  
SDR: 6/S2.1

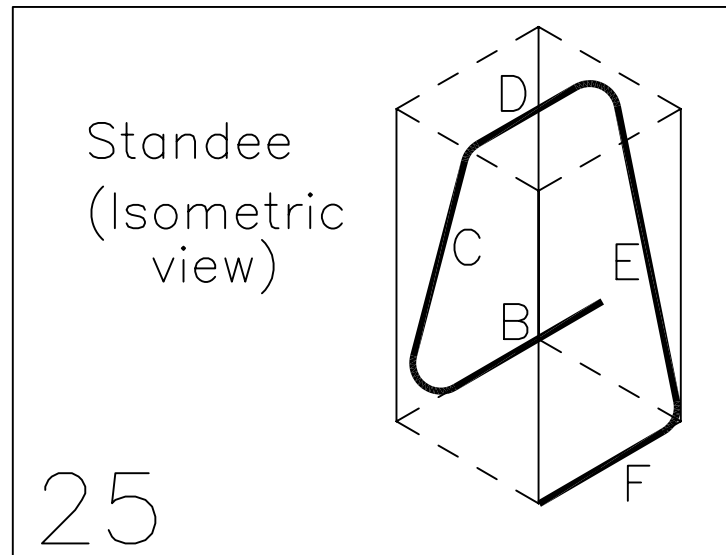
Release Number: R1.01-R1.02

**BAR LIST**

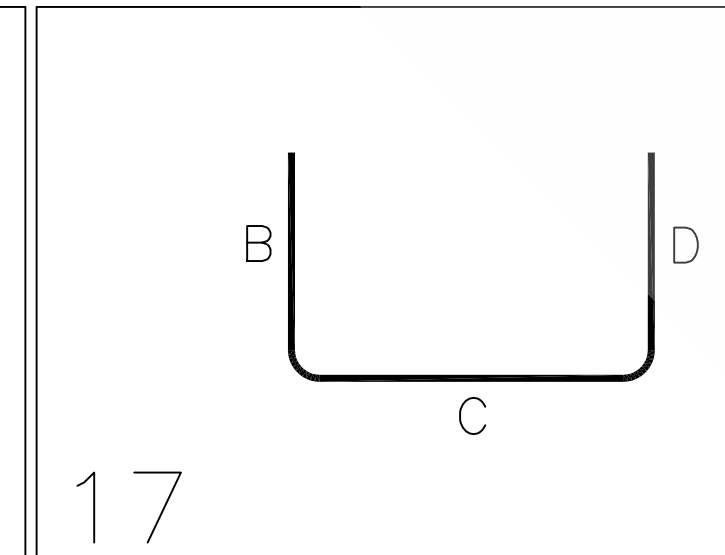
| Bar Mark | Qty | Size | Total Length | Type | 'A'    | 'B'       | 'C'       | 'D'   | 'E'       | 'F'   | 'G'    | 'H'       | 'J' | 'K'       | 'O'   | 'R' |
|----------|-----|------|--------------|------|--------|-----------|-----------|-------|-----------|-------|--------|-----------|-----|-----------|-------|-----|
| 4A01     | 32  | #4   | 4'-11"       | 25   |        | 1'-6"     | 0'-7 1/2" | 0'-8" | 0'-7 1/2" | 1'-6" |        | 0'-7 1/2" |     | 0'-3 3/4" |       |     |
| 4A02     | 397 | #4   | 4'-0"        | 17   |        | 2'-0"     | 2'-0"     |       |           |       |        |           |     |           |       |     |
| 4A03     | 156 | #4   | 2'-5 3/4"    | 2    | 0'-8"  | 1'-9 3/4" |           |       |           |       |        |           |     |           |       |     |
| 4A04     | 43  | #4   | 4'-5"        | 2    | 0'-8"  | 3'-9"     |           |       |           |       |        |           |     |           |       |     |
| 4A05     | 36  | #4   | 3'-4"        | 2    | 0'-8"  | 2'-8"     |           |       |           |       |        |           |     |           |       |     |
| 4A06     | 4   | #4   | 5'-2"        | 17   |        | 0'-11"    | 4'-3"     |       |           |       |        |           |     |           |       |     |
| 4A07     | 6   | #4   | 2'-10"       | 17   |        | 0'-10"    | 2'-0"     |       |           |       |        |           |     |           |       |     |
| 4A08     | 26  | #4   | 2'-4"        | 17   |        | 0'-4"     | 2'-0"     |       |           |       |        |           |     |           |       |     |
| 4A09     | 28  | #4   | 6'-0 1/2"    | 17   |        | 2'-6"     | 1'-0 1/2" | 2'-6" |           |       |        |           |     |           |       |     |
| 5A01     | 24  | #5   | 2'-8"        | 8    | 0'-10" | 1'-0"     |           |       |           |       | 0'-10" |           |     |           |       |     |
| 5A02     | 3   | #5   | 7'-11"       | 20   |        | 3'-0"     | 1'-11"    | 3'-0" |           |       |        |           |     |           |       |     |
| 5A03     | 6   | #5   | 8'-9"        | 20   |        | 3'-0"     | 2'-9"     | 3'-0" |           |       |        |           |     |           |       |     |
| 5A04     | 80  | #5   | 6'-0"        | 17   |        | 3'-0"     | 3'-0"     |       |           |       |        |           |     |           |       |     |
| 5A05     | 12  | #5   | 9'-8"        | 20   |        | 3'-0"     | 3'-8"     | 3'-0" |           |       |        |           |     |           |       |     |
| 5A06     | 3   | #5   | 7'-6"        | 20   |        | 3'-0"     | 1'-6"     | 3'-0" |           |       |        |           |     |           |       |     |
| 5A07     | 6   | #5   | 9'-0"        | 20   |        | 3'-0"     | 3'-0"     | 3'-0" |           |       |        |           |     |           |       |     |
| 5A08     | 6   | #5   | 10'-8 1/4"   | 3    |        | 3'-0"     | 4'-8 1/4" | 3'-0" |           |       |        | 3'-4 1/2" |     | 3'-3"     | 9'-3" |     |
| 5A09     | 12  | #5   | 3'-10"       | 2    | 0'-8"  | 3'-2"     |           |       |           |       |        |           |     |           |       |     |
| 6A01     | 68  | #6   | 4'-4"        | 2    | 0'-8"  | 3'-8"     |           |       |           |       |        |           |     |           |       |     |

**LAP SCHEDULE**

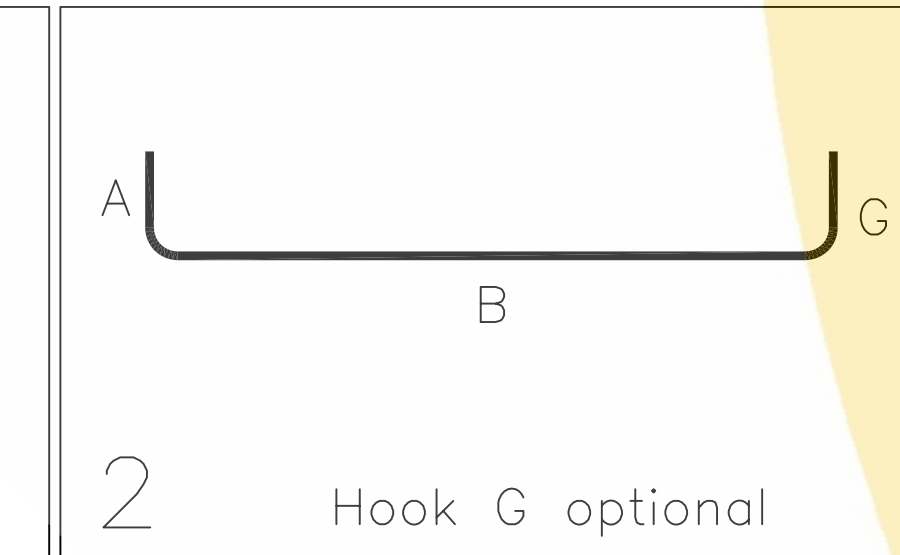
| BAR SIZE | FOUND. LAP (fa=3000 psi) | SLAB LAP (fa=4000 psi) | CMU WALL LAP |
|----------|--------------------------|------------------------|--------------|
| #3       | -                        | -                      | 1'-6"        |
| #4       | 29"                      | 25"                    | 2'-0"        |
| #5       | 36"                      | 31"                    | 2'-6"        |
| #6       | 43"                      | 37"                    | 3'-0"        |
| #7       | 63"                      | 54"                    | 3'-6"        |
| #8       | 72"                      | 61"                    | 4'-0"        |
| #9       | 80"                      | 69"                    | 4'-6"        |
| #10      | 89"                      | 76"                    | 5'-0"        |



25

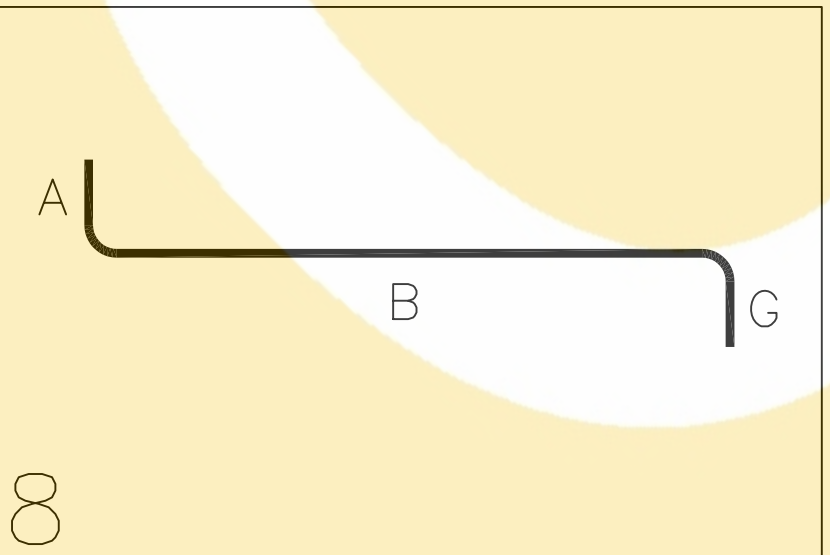


17

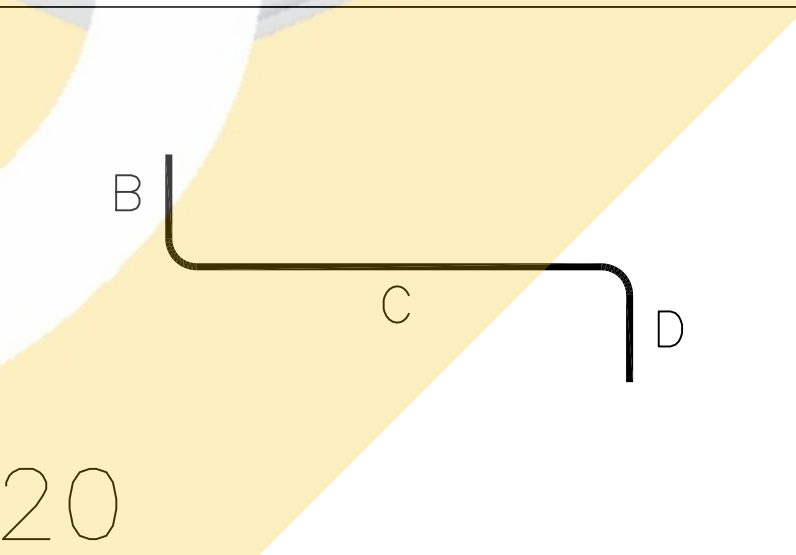


2

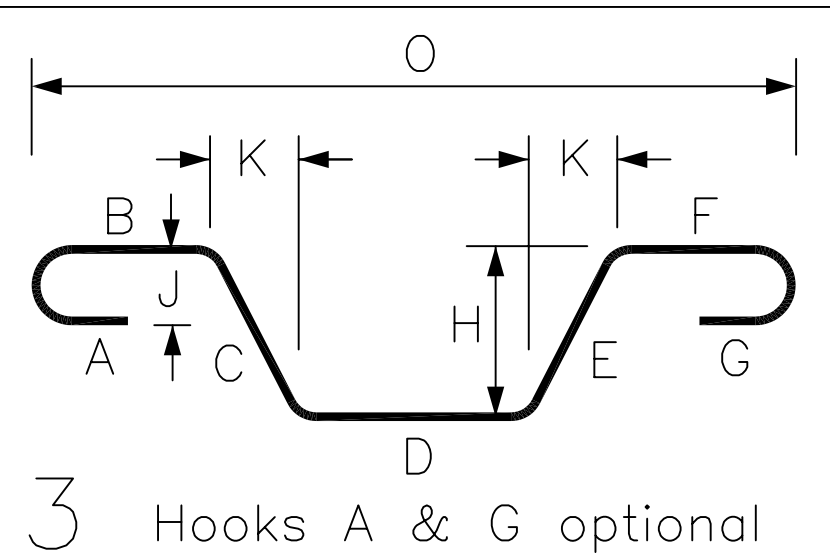
Hook G optional



8



20



3

Hooks A & G optional